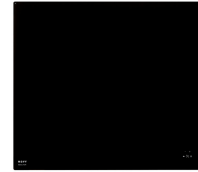


Induction - Pro
4-zones 60 cm
Glass

EAN 5414425017737



Cooking Zones

- 4-zones
- Front left : 2100/3700 W - 220x180 mm
- Rear left : 2100/3700 W - 220x180 mm
- Front right : 2100/3700 W - 220x180 mm
- Rear right : 2100/3700 W - 220x180 mm

Functions & features

- Bridge function 2
- Grill function ▪
- Automatic pan recognition ▪
- Keep warm function (°C) 42°C, 70°C, 94°C
- Residual heat indication ▪
- Childproof lock ▪
- Pause function ▪
- Timers Minute minder, Timer per Zone, Automatic cooking

Design

- Control method Slider touch control
- Info display color White
- Glass edge Bevelled
- Mounting method Surface, Flushline

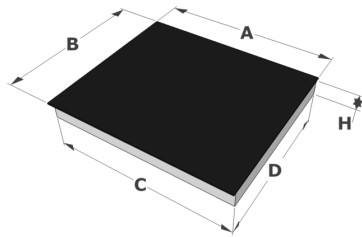
Dimensions

- Product dimensions (WxDxH) (mm) 590 x 520 x 49
- Cut-out worktop (WxD) (mm) 560 x 490

Technical specifications

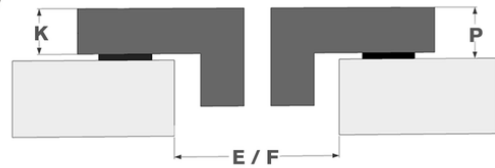
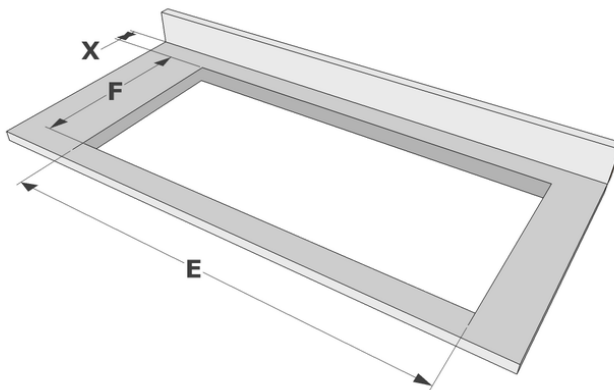
- Maximum power 7400
- Electrical connection 220-240V 1L+N
220-240V 2L
220-240V 3L (BE)
380-400V 2L+N/2N
- Frequency (Hz) 50-60
- Net weight (kg) 8,5

Dimensions



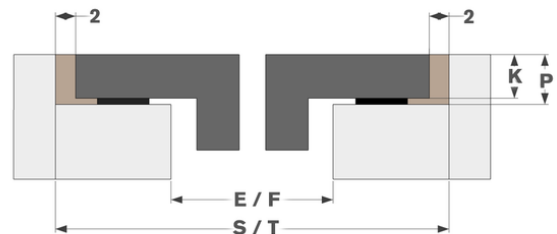
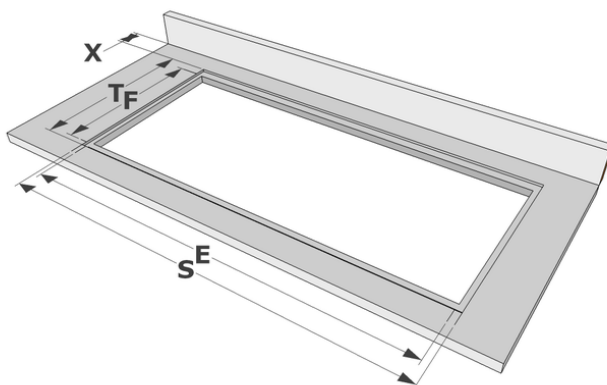
	A	B	C	D	H
mm	590	520	549	480	49

Surface



	E	F	K	P	X
mm	560	490	4	6	50

Flushline



	E	F	S	T	K	P	X
mm	560	490	594	524	4	6	50

Accessories

Cooking

1700091

Grill plate



1700092

Side profiles